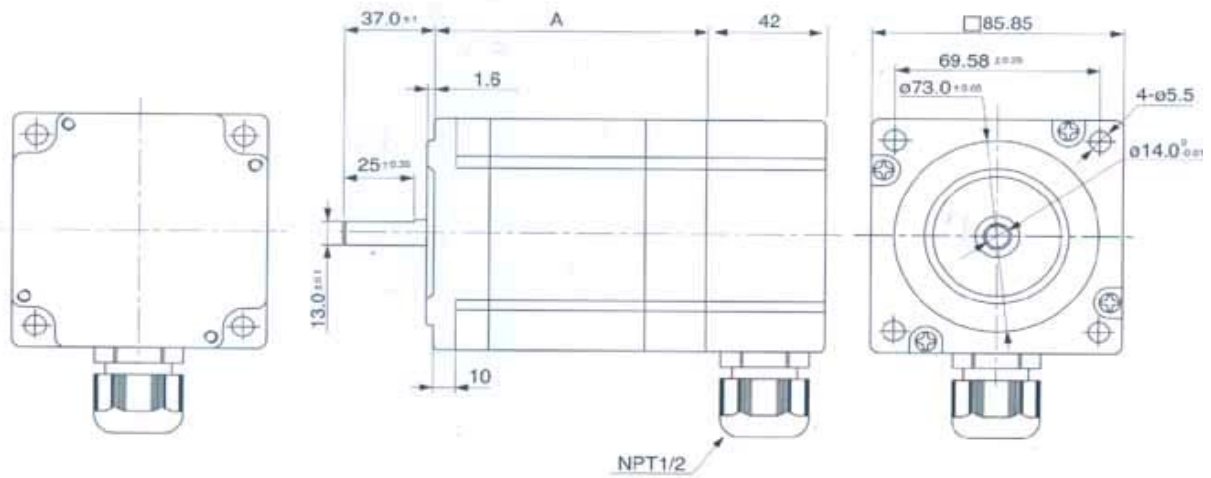


DCNC-IP54-12NM



Specification

Flange		Nema 34
Type		Bipolar
Holding Torque	Nm	12,0
Rated Current	Amp / Phase	7.0
Resistance	Ohm / Phase	0.45
Inductance	mH / Phase	7.5
Rotor Inertia	(g.cm 2)	4800,0
Weight	grams	5500,0
Length A	mm	156,0
# Wires		4,0

Driver	Current Setting	
2Amp Driver	vref	Not Compatible
3D step driver	vref	Not Compatible
4D step driver	vref	Not Compatible
4Amp Driver	vref	Not Compatible
HP5056	dip switches	Not Compatible
Hp8078	dip switches	7A Peak(P)

Date	4-9-2008
Author	Kevin Damen www.damencnc.com