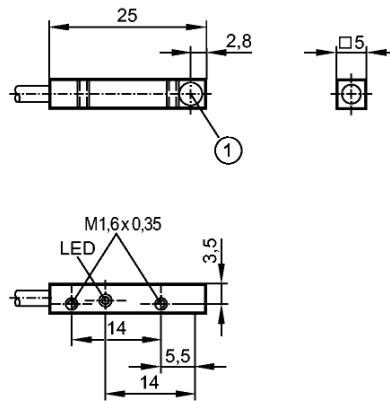


IL5022

ILB30.8-BPKG/2M PVC

Inductive sensors



1: sensing face



Product characteristics

Inductive sensor
Rectangular Metal
Cable
Sensing range 0.8 mm; [f] flush mountable

Electrical data

Electrical design	DC PNP
Operating voltage [V]	10...30 DC
Current consumption [mA]	< 10 (24 V)
Reverse polarity protection	yes

Outputs

Output function	normally open
Voltage drop [V]	< 1
Current rating [mA]	100
Short-circuit protection	Yes (non-latching)
Overload protection	no
Switching frequency [Hz]	1000

Monitoring range

Sensing range [mm]	0.8
Real sensing range (Sr) [mm]	0.8 ± 10 %
Operating distance [mm]	0...0.65

Accuracy / deviations

Correction factors	mild steel = 1 / stainless steel approx. 0.7 / brass approx. 0.5 / aluminium approx. 0.4 / copper approx. 0.3
Hysteresis [% of Sr]	< 15
Switch-point drift [% of Sr]	-10...10

Environment

Ambient temperature [°C]	-25...70
Protection	IP 67

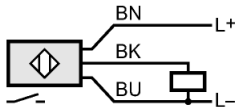
Tests / approvals

EMC	EN 60947-5-2 EN 55011: class B
MTTF [Years]	640

IL5022

ILB30.8-BPKG/2M PVC

Inductive sensors

Mechanical data	
Mounting	flush mountable
Housing materials	housing: aluminum anodized; active face: POM (polyoxymethylene)
Weight [kg]	0.054
Displays / operating elements	
Output status indication	LED
	red
Electrical connection	
Connection	PVC cable / 2 m; 3 x 0.14 mm ²
Wiring Core colors BK black BN brown BU blue	
	
Accessories	
Accessories (included)	2 mounting screws
Remarks	
Pack quantity [piece]	1