

1

2

3

4

5

6

RevNo

Revision note

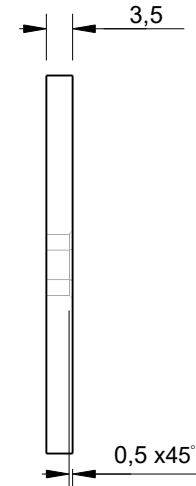
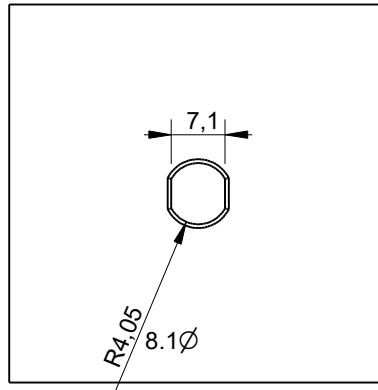
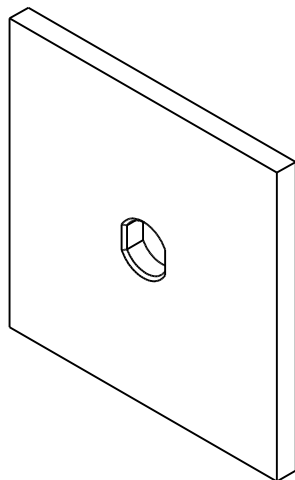
Date

Signature

Checked

Example of panel cut out required for the 5306 M8 3-poles Panel Mount Female with 50cm wiring (1500350)

Minimal sheet thickness 2.5mm
Maximum sheet thickness 3.5mm



Itemref	Quantity	Title/Name, designation, material, dimension etc			Article No./Reference	
Drawn by Kevin Damen	Checked by	Approved by - date	File name	Date 7-8-2020	Scale 1:1	
5306			www.damencnc.com			
5306				Edition	Sheet 1 OF 1	

1

2

3

4

5

6