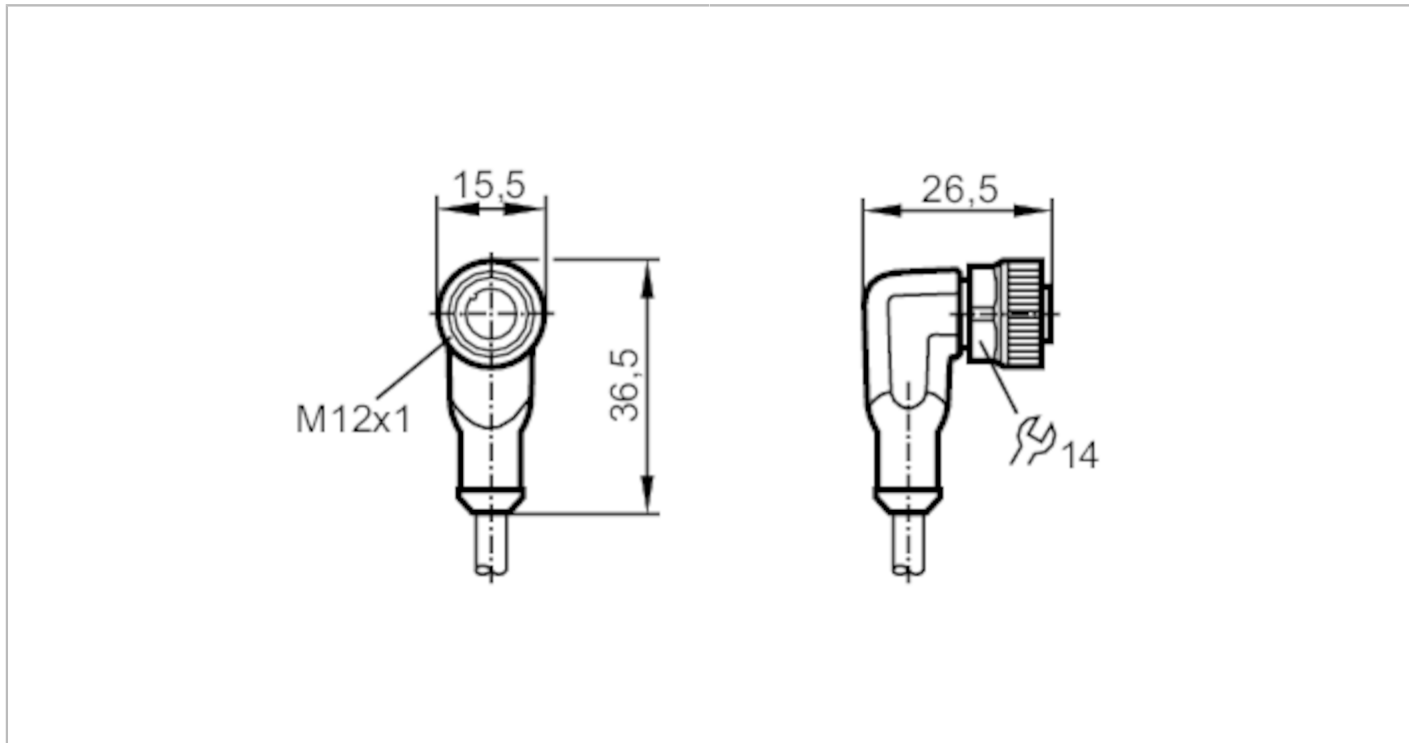


EVC541



Connecting cable with socket

ADOAH040MSS0002K04



Application		
Free from silicone	yes	
Electrical data		
Operating voltage [V]	< 50 AC / < 60 DC	
Protection class	III	
Max. current load total [A]	4	
Operating conditions		
Ambient temperature [°C]	-25...90	
Note on ambient temperature	cULus: ...75 °C	
Ambient temperature (moving) [°C]	-25...90	
Note on ambient temperature (moving)	cULus: ...75 °C	
Protection	IP 65; IP 67	
Mechanical data		
Weight [g]	99.6	
Dimensions [mm]	26.5 x 15.5 x 36.5	
Materials	housing: TPU orange; Sealing: FKM	
Material nut	brass	
Drag chain suitability	bending radius for flexible use	min. 10 x cable diameter
	travel speed	max. 3.3 m/s for a horizontal travel length of 5 m and max. acceleration of 5 m/s ²
	bending cycles	≥ 2 Mio.
	torsional strain	± 180 °/m
Drag chain suitability	yes	

EVC541



Connecting cable with socket

ADOAH040MSS0002K04

Remarks

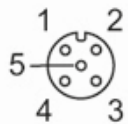
Pack quantity 1 pcs.

Electrical connection

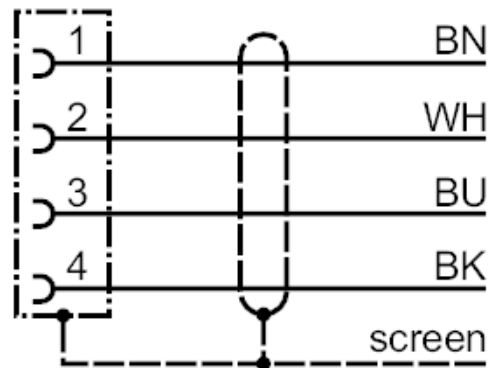
Cable: 2 m, PUR, Halogen-free, black, Ø 4.9 mm, shielded; 4 x 0.34 mm² (42 x Ø 0.1 mm)

Electrical connection - socket

Connector: 1 x M12, angled; Locking: brass, nickel-plated; Contacts: gold-plated; Tightening torque: 0.6...1.5 Nm; Shielded connection cable: screen connected



Connection



Core colours :

BK = black
BN = brown
BU = blue
WH = white

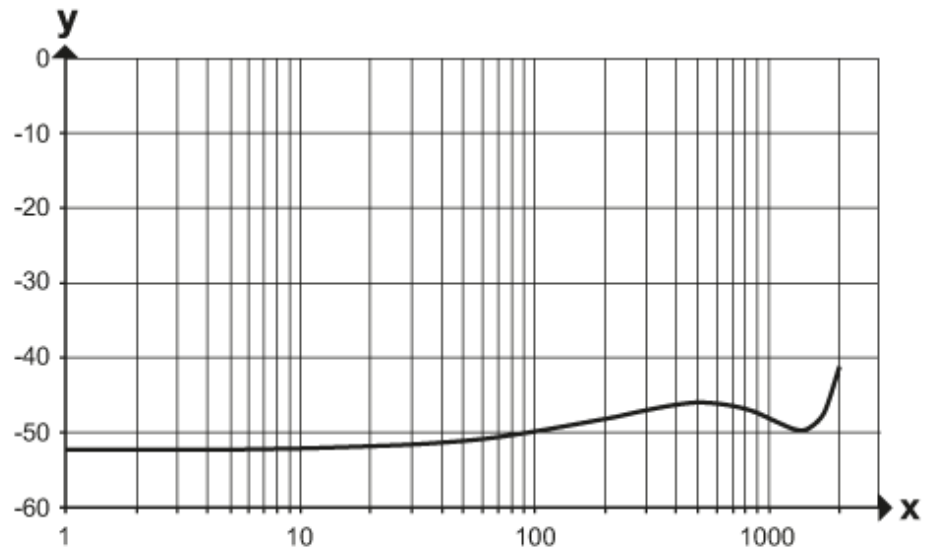


Connecting cable with socket

ADOAH040MSS0002K04

Diagrams and graphs

Shielding characteristics



x Frequency (MHz)

y Shielding characteristics (dB)

according to DIN EN 60512-23-3